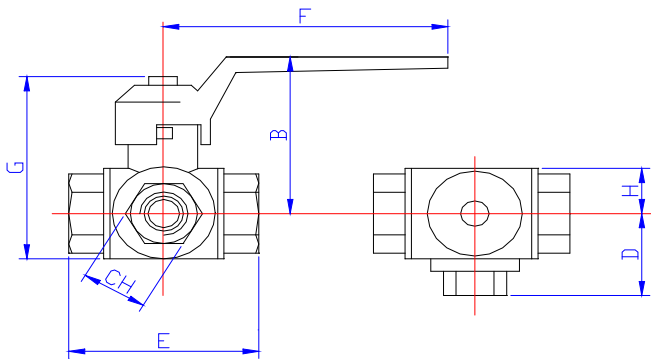


ART. 121 - 122
3 way ball valve T or L bore

ART. 123 - 124
3 way ball valve NPT threads T or L bore



Misura Size	B	D	E	F	G	H	CH	DN	Thread lenght	PN Max BAR
1/4"	65	39	77	125	75	22	22	10	18	55
3/8"	65	39	77	125	75	22	22	12	18	55
1/2"	65	39	77	125	75	22	27	14	18	50
3/4"	83	46	92	145	91	25	34	18	22	50
1"	96	52	104	170	105	30	41	23	23	45
1,1/4"	102	59	118	170	115	34	50	29	26	35
1,1/2"	109	69	138	170	128	40	57	36	30	35
2"	139	81	162	260	165	48	70	45	35	35

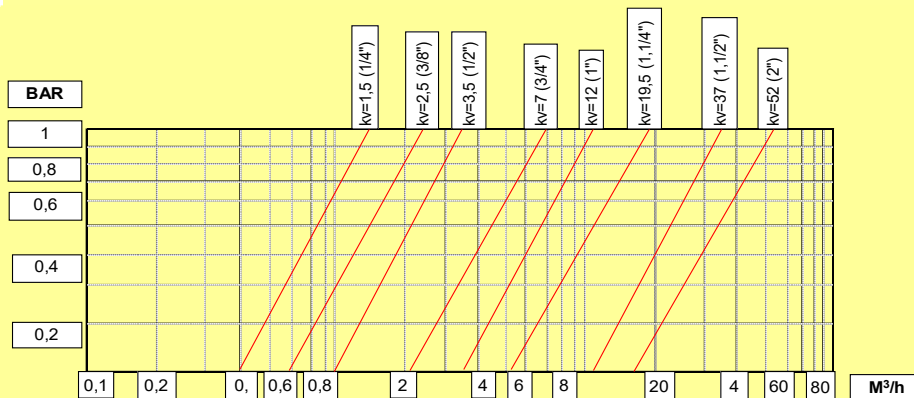
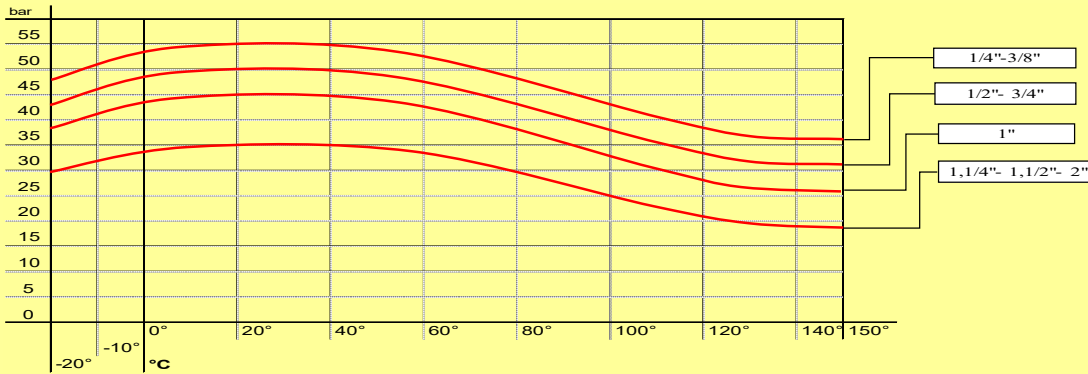
MATERIALS

BODY, SLEEVE: Brass CW617N-UNIEN12165
 STEM, PACKING NUT: Brass CW614N-UNIEN12164
 BALL: Brass CW617N-UNIEN12165 chrome-plated
 SCREW: Zincplated steel

O-Rings: Fkm
 SEALS (no. 4): pure PTFE
 HANDLE: Aluminium EN-AB46100

TECHNICAL DATA

pressure / temperature



Threads: **UNI ISO 228/1**
 Working temperature: **-10° +120°C**
 Valve conforming with directive **2014/68/EU**
 FINAL TEST conforming with **UNI EN 12266-1 points A3 - A4**
 For 1,1/2"-2" sizes: conforming with directive **2014/68/EU**

INSTRUCTIONS: Valve opened: the handle is parallel to the body

Valve closed: the handle is perpendicular to the body

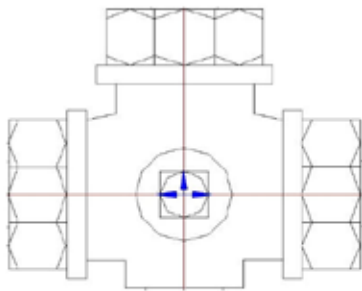
This valve must be employed according to this data sheet instructions. For 1,1/4" and superior sizes, it can't be used for dangerous fluid

in according to Directive 2014/68/EU art. 13.1 a)

ST-121-122-123-124 Rev. 06 08/17

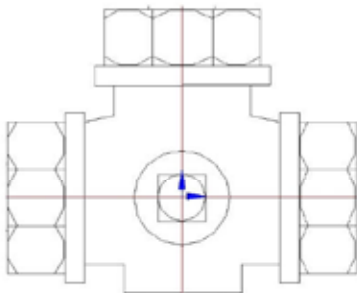
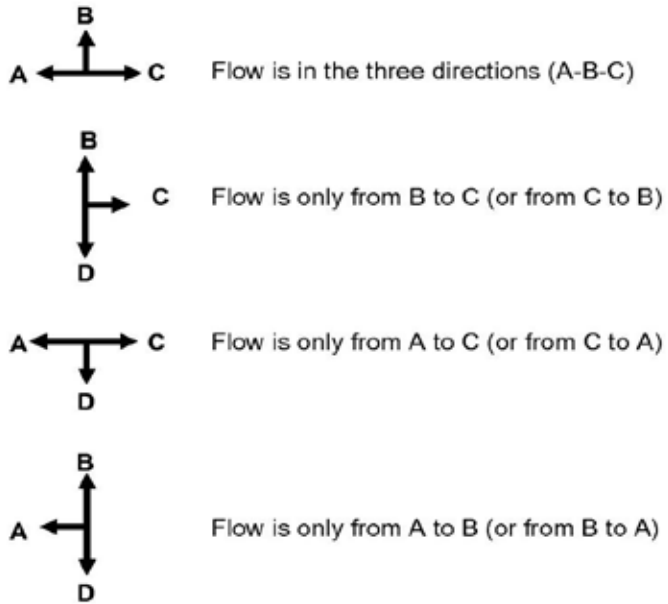
Valve are supplied with the lever removed and loose in the box.

Markings on the square are visible and indicate if the valve is 'T' or 'L' pattern.



Instructions T valve:

Without the lever is visible on the top of the stem a "T" notch, that is like to the direction bores on the ball. There are the following possibilities:



Instructions L valve:

Without the lever is visible on the top of the stem a "L" notch, that is like to the direction bores on the ball. There are the following possibilities:

